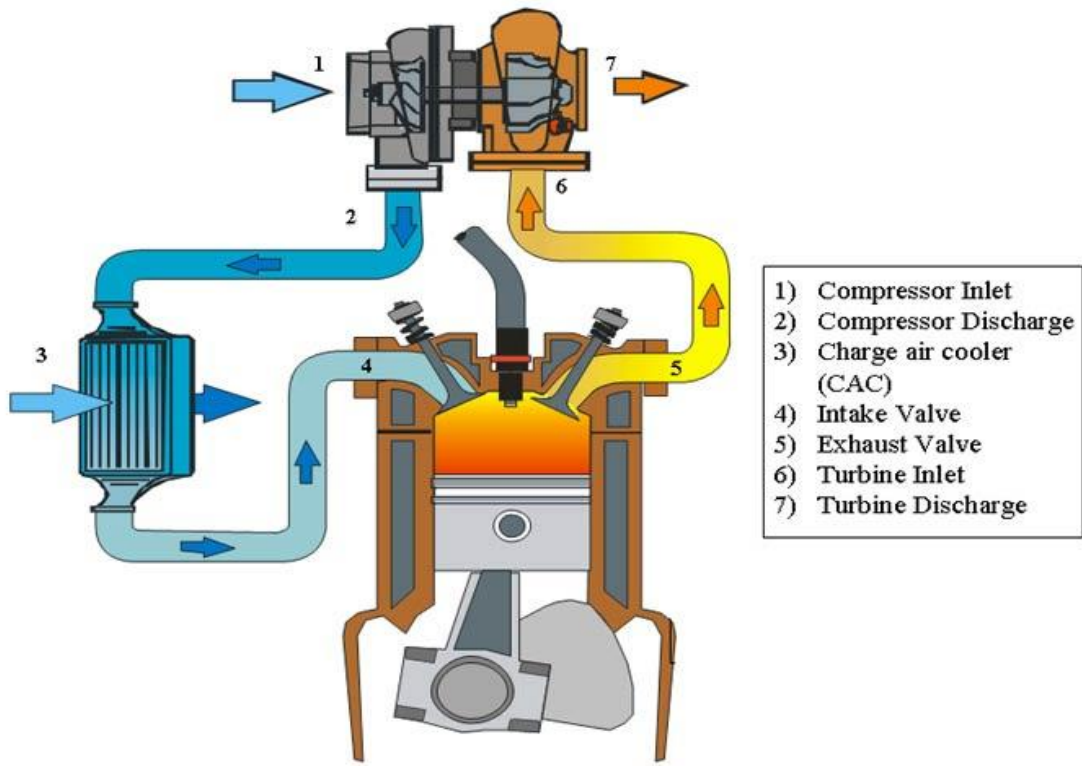
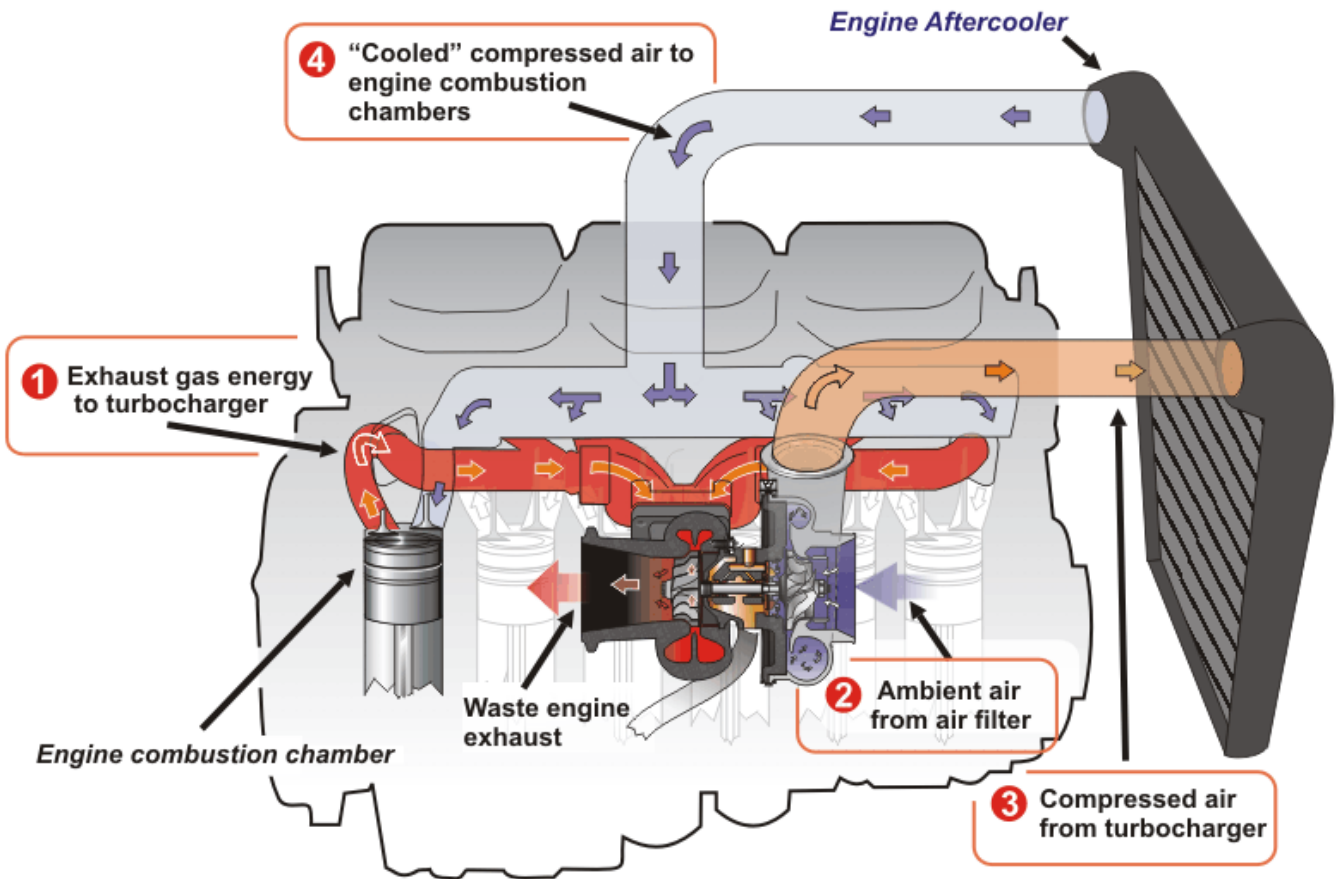




# **TURBOCHARGER FAILURE GASKET SEALANT PASTE**

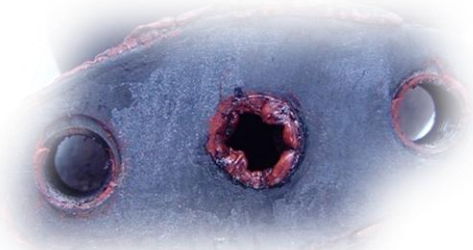
## Typical Commercial Diesel Turbocharged Engine System



## TURBOCHARGER FAILURE DUE TO GASKET SEALANT PASTE

The turbine shaft and bearings inside the turbocharger rotate on a very thin sheet of oil. When oil is not present at the start-up and while the turbo is rotating, the bearings fail. Operating a turbo for five seconds without oil is as damaging as operating an engine for five minutes without oil.

Gasket sealant pastes reduce the oil inlet / oil outlet passage diameter and restricts the free flow of oil to the turbocharger. This results in the turbocharger failing due to lack of oil when sealant paste is used at the inlet side of the turbocharger and by oil leaks from turbine side due to restriction in oil drain line when sealant paste is used at the oil drain side of the turbocharger.



### Effects of using gasket sealant paste on turbocharger:

- Restriction of oil supply to turbocharger resulting in lack of oil failures.
- Restriction in oil drain line causes oil leakage from turbine side and compressor side.
- Causes oil leak from the turbine side of the turbocharger due to drain restriction.
- Sealant paste can break off and mix with oil and result in getting stuck inside the turbocharger journal feed holes leading to failure of turbocharger.
- Causes oil leak from the compressor side as a result of overheating failures due to lack of oil in turbocharger.





# 7

## Service Centers:

**Palakkad**  
17/550(9),KTV Tower,  
West Fort Road, Palakkad – 678 001  
Phone : 0491 – 3260808, 3208000

**Kochi**  
40/618, Bhagavathy Parambil Building,  
Near Federal Bank, Palarivattom, Kochi – 682 025  
Phone : 0848 -3114333

**Kozhikode**  
3/165-A,Nano Building,  
Major Santhosh Road, Behind Co-Op Urban Bank,  
Vandipetta, West Nadakkavu, Kozhikode – 673 011  
Phone : 0495 3104333

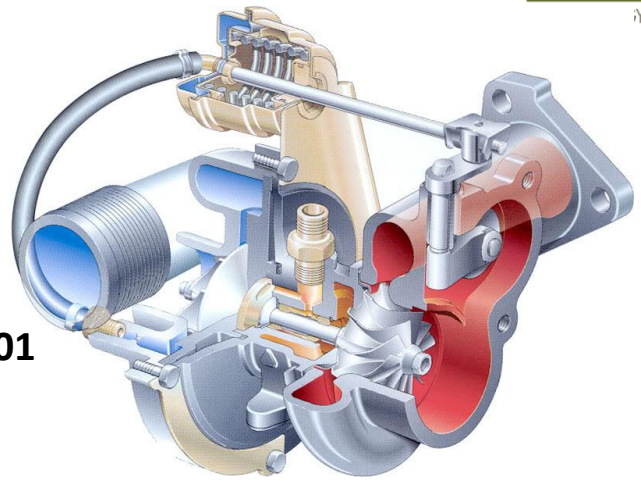
## Collection Centers:

**Kannur**  
EP III/178, EVES Arcade,  
Opposite Technical High School, Thottada, Kannur – 670 007  
Phone : 0497 – 3268785

**Thiruvananthapuram**  
TC 36/1090(9), Narayan Nilayam,  
Eanchakkal Junction, Vallakadavu P.O., Thiruvananthapuram – 695 008  
Phone : 0471 – 3198785

**Service Helpline : +91 491 3208000**  
**Technical Assistance : +91 93491 27136**

**Website : [www.paramountautozone.com](http://www.paramountautozone.com)**  
**[www.paramountgrp.net](http://www.paramountgrp.net)**





# Paramount auto **zone**

ISO 9001:2008 Certified Company



**Come to us for a cleaner and greener road to the future..**